

Fig. 1

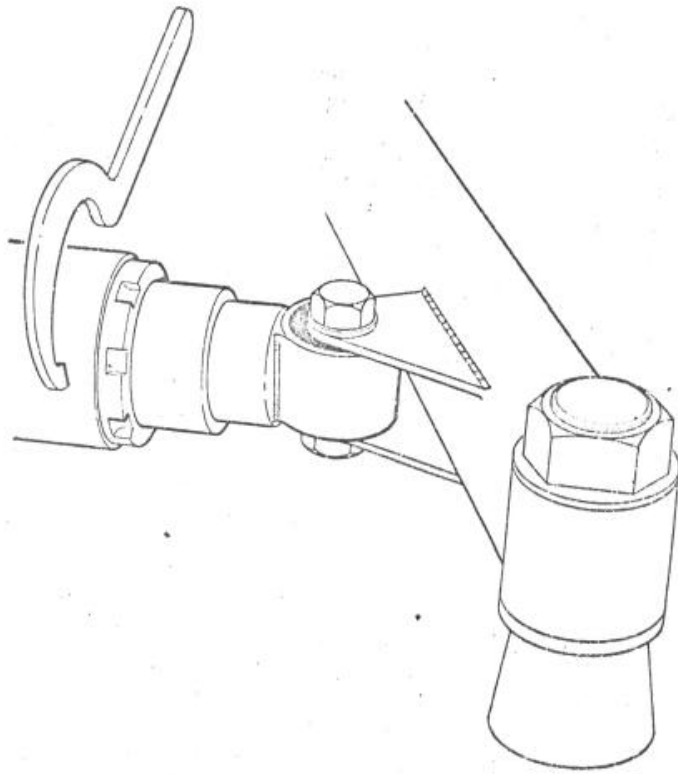


Fig 2 Rear shock absorber adjustment

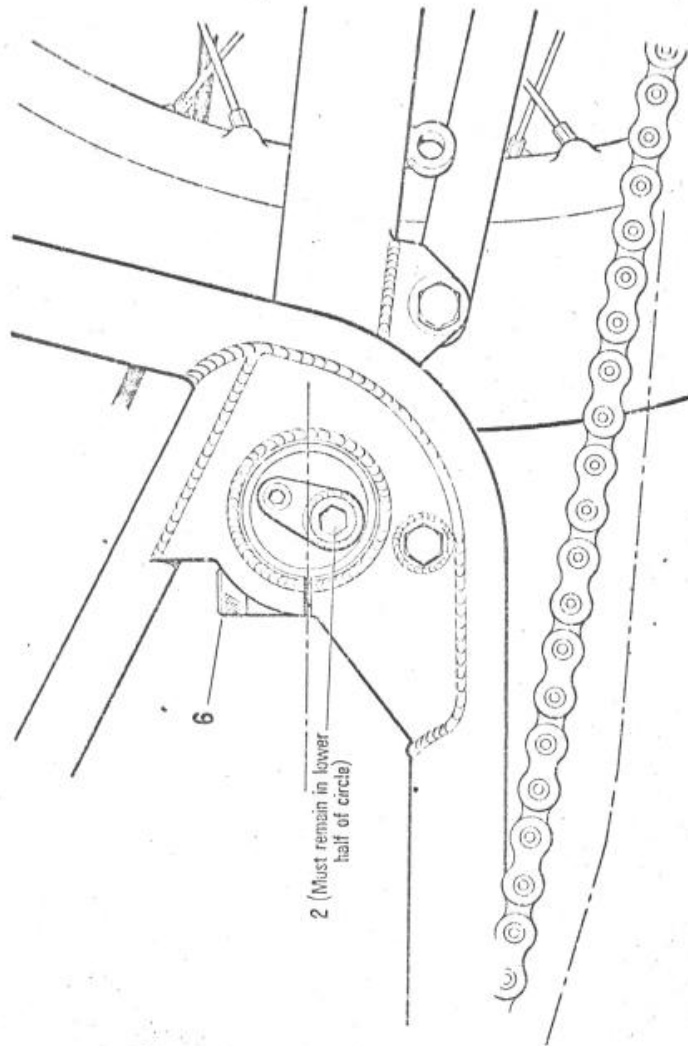


Fig.3 Chain tension adjustment

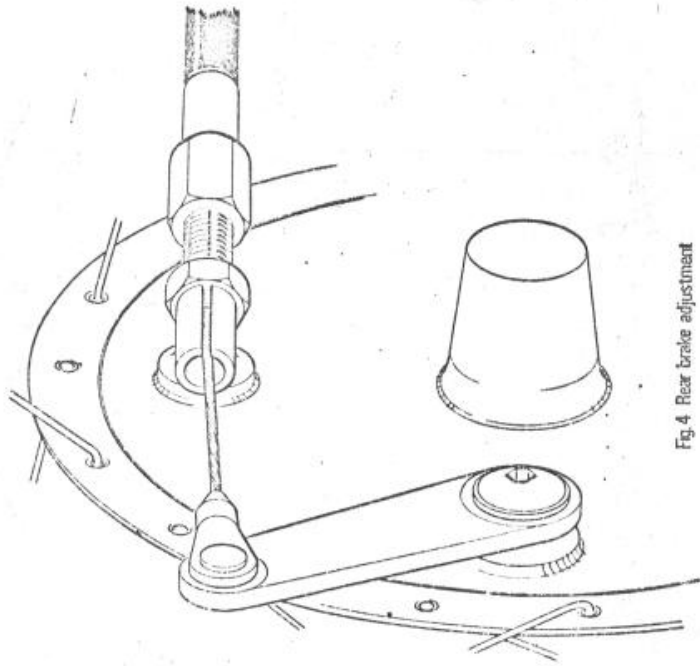


Fig. 4 Rear brake adjustment

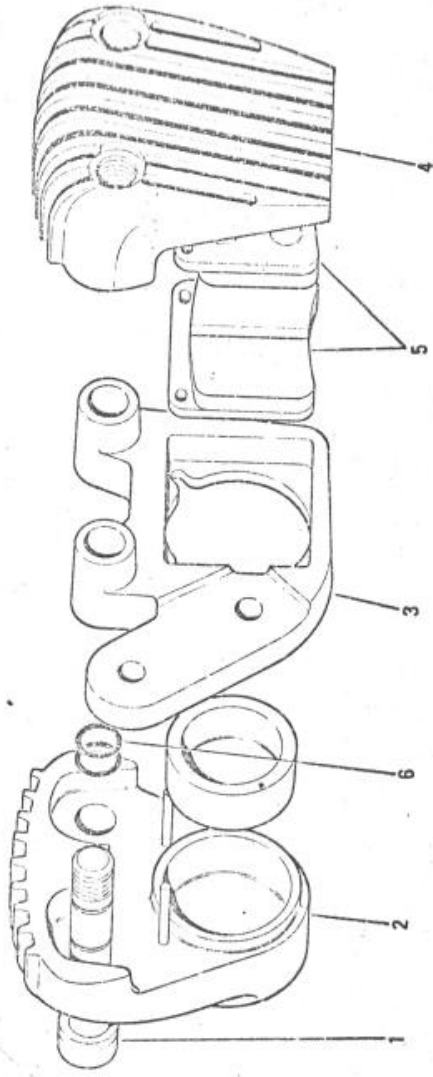


Fig.5. Front brake caliper assembly

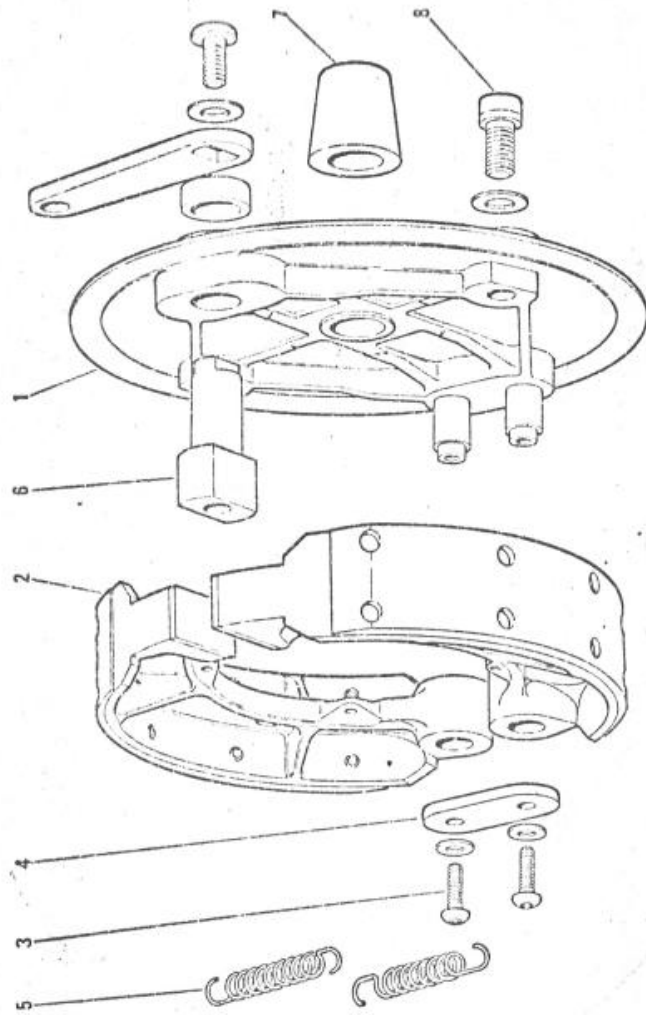


Fig. 6 Rear brake assembly

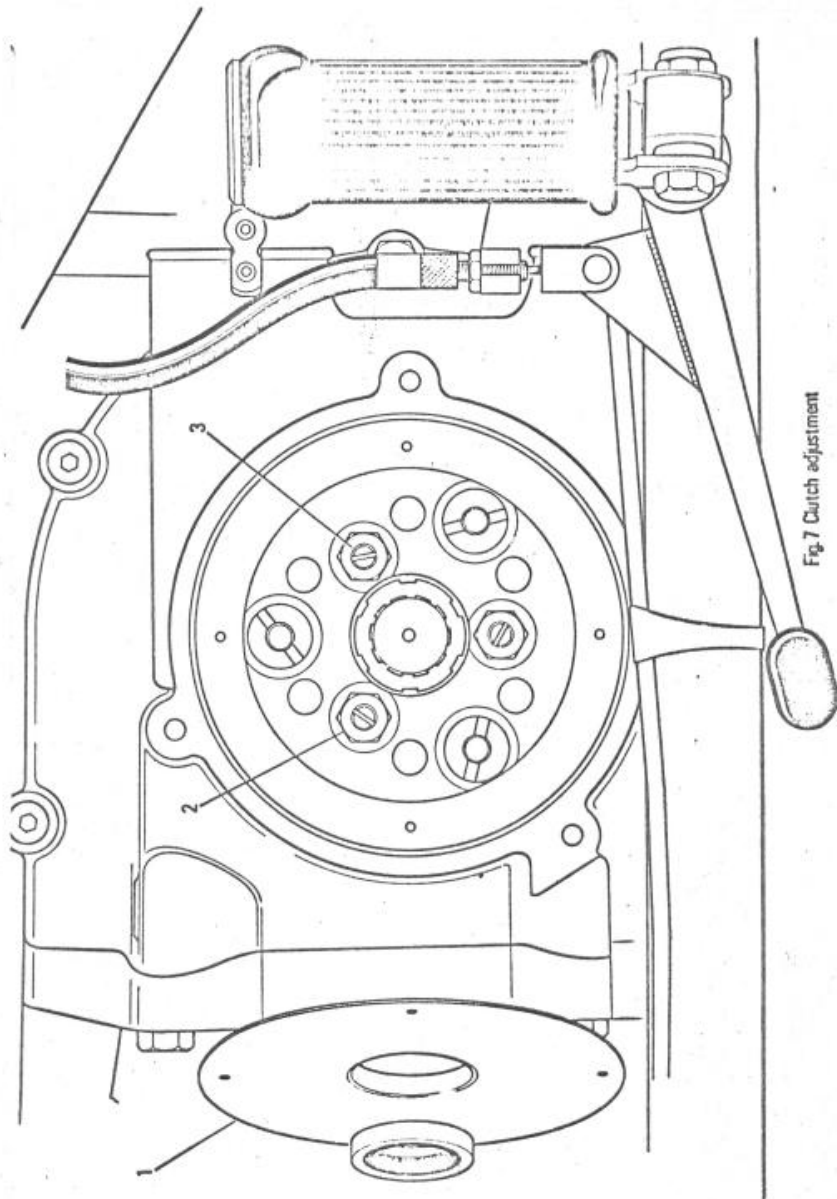


Fig.7 Clutch adjustment

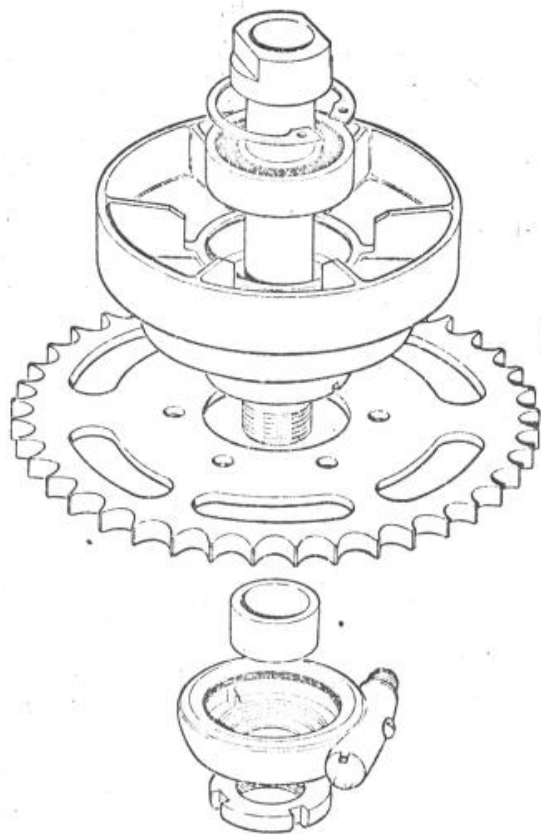


Fig 8



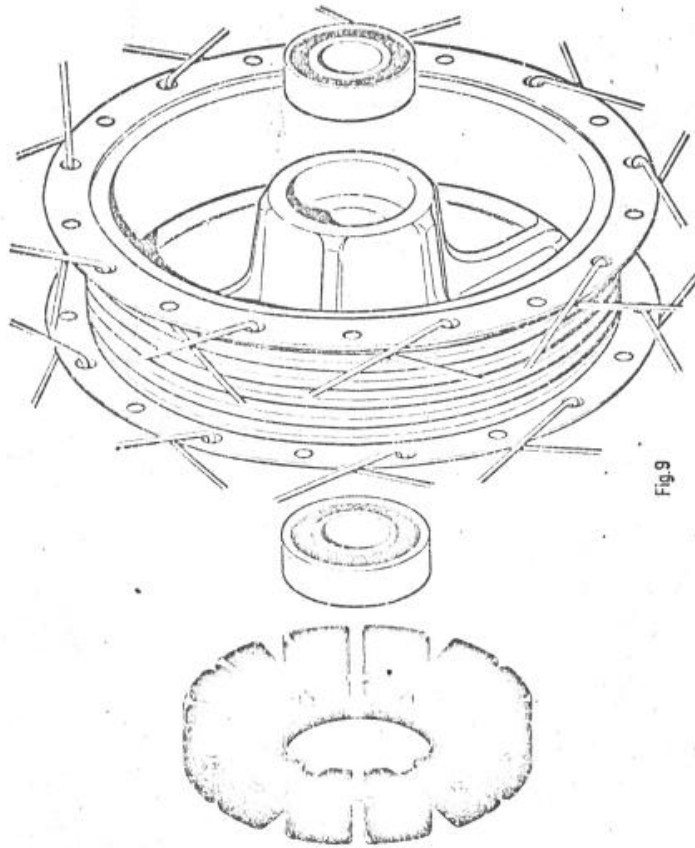


Fig. 9

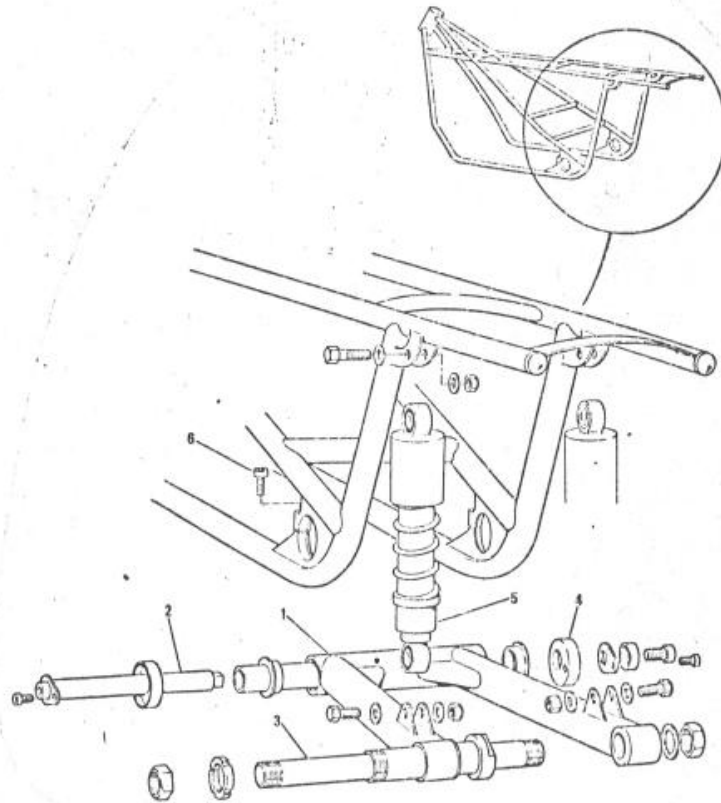
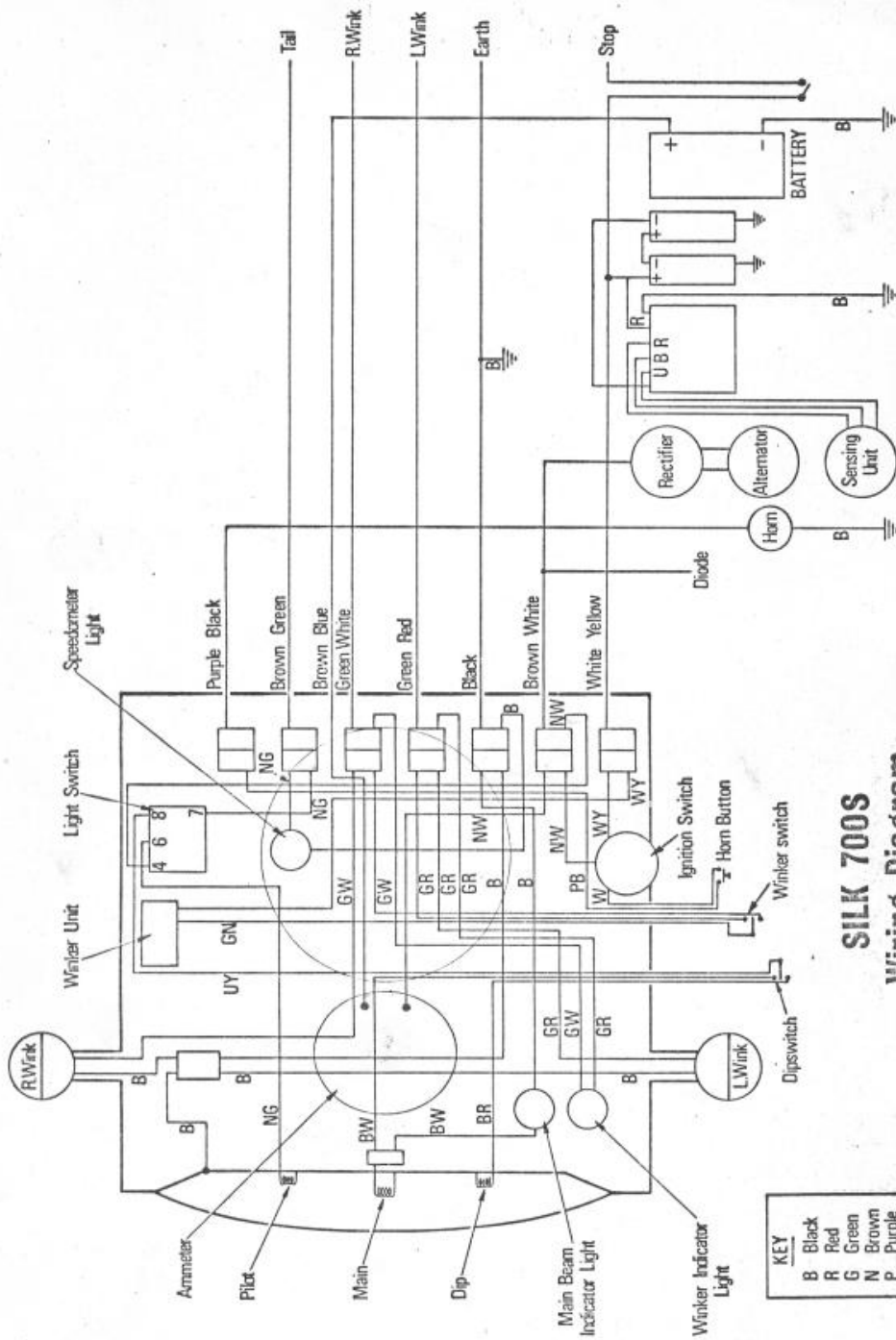


Fig 10 Swinging arm assembly

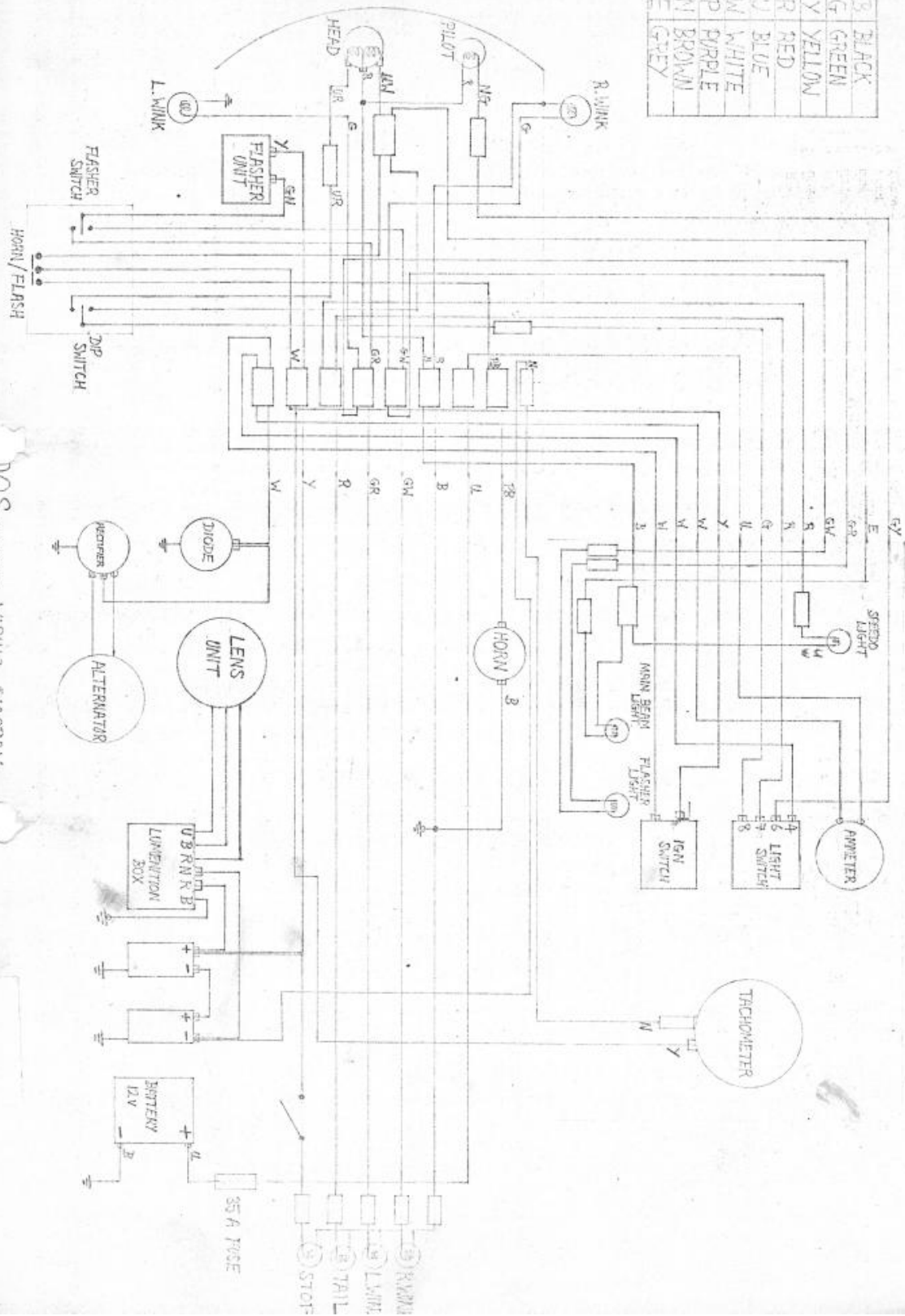


**SILK 700S**  
Wiring Diagram

Fig. 11

KEY	
B	Black
R	Red
G	Green
N	Brown
P	Purple
U	Blue
W	White
Y	Yellow

3	BLACK
G	GREEN
Y	YELLOW
R	RED
U	BLUE
W	WHITE
P	PURPLE
N	BROWN
E	GREY



DOS MARK II WIRING DIAGRAM